

Finally, the most Reliable Undercounter is available with Pumped Drain & Tank Heat.

ET Series



Pumped Drain
Allows installation in almost all applications.



Ergonomical Design

Allows operators to load & unload with ease. Short door construction (10") keeps the aisle free and clear.



Screens

Dual screening protects both wash & drain pumps from debris.

Optional Heat

Maintains Tank Temperature rack after rack.



Perfect for Restaurants, Bars, and Fast Food Operations.

At American Dish Service, Quality People, Designs, and Products have been the foundations of our organization for over *45 years*.

www.americandish.com

900 Blake Street Edwardsville, KS 66111-3820

ADs
American Dish Service
Manufacturers of Ware Washing Equipment

Toll Free (800) 922-2178 Phone (913) 422-3700 Fax (913) 422-6630

ET Series

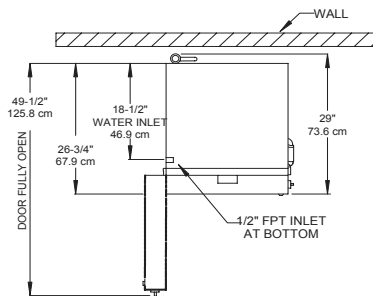
MULTI-USE UNDERCOUNTER DISHWASHERS

ET... The Dishmachine of choice, when space is a concern. You will NEVER AGAIN have to sacrifice production or results.

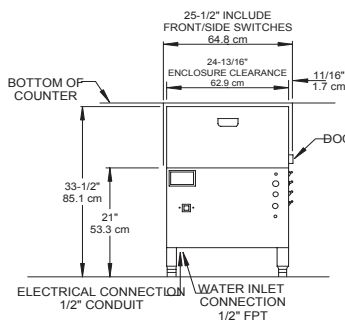
- 1 1/2 HP Wash & Rinse Pump
- 90 Second Complete Time Cycle
- Reliable Tank Heat (Sustained)
- Automatic Chemical Dispensing
- Optional Chemical Alarms
- Pump Drains Water (up to 20")
- Dual Screening Catches Debris
- Available 3" Taller Version



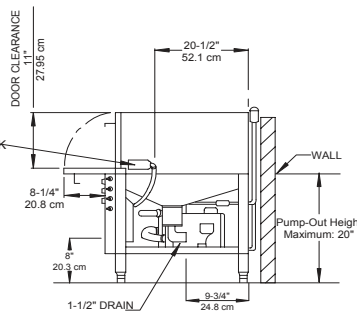
Operating a free standing complete ware-washing center in only 48" of space. To do this, combine our ET-AF Undercounter with our stainless steel table package.



TOP VIEW



FRONT VIEW



SIDE VIEW

Effective: 4/16

CAUTION:

Electrical and plumbing connections must be made by a qualified Service Person who will comply with all available federal, state, and local Health, Electrical, Plumbing, and Safety codes.

*Manufacturer reserves the right to modify these specifications in compliance with regulatory agencies and manufacturing expediency.

NOTE:

All dimensions listed have a tolerance of + or - 1/8" unless otherwise noted.



ET SERIES with PUMPED DRAIN and HEAT SPECIFICATIONS

	FAMILY MODELS		
	ET-AF	ET-A	ET-AH
NSF RATED CAPACITY (Racks/Hr.)	30	24	20
WASH TIME (Sec.)	45	60	75
RINSE TIME (Sec.)	30	45	60
DWELL (Sec.)	15	15	15
TOTAL CYCLE TIME (Sec.)	90	120	150
WATER TEMPERATURE-SUPPLY WATER	(NSF) 120 F Min. 49 C Min.		
WATER CONSUMPTION (NSF RATED)	1.7 Gal's Per Cycle 6.4 Lit's Per Cycle		
MOTOR RATING (PUMP)	1.125 KW		
DRAIN MOTOR RATING	1.125 KW		
SUSTAINER HEATER	1/20 HP (.037 KW)		
ELECTRICAL RATINGS (NEC)	115 Vac, 20amp brkr, 50/60Hz, 1Phase		
Connect to Supply Source using 10-12 AWG copper wires using non-time delay fuse of 20 amp rating or 20 amp circuit breaker.			
RACK SIZE	19.75" x 19.75" 50.2 cm x 50.2 cm		
DOOR CLEARANCE	"M" Series: 11" x 22.25"(27.9cm x 56.5cm) "3" Series: 14" x 22.25"(35.8cm x 57cm)		
WATER INLET	1/2" FPT		
DRAIN SIZE	3/4" I.D. Hose by 60" Long		
PUMP-OUT HEIGHT (Maximum)	20"		
HEIGHT OF STANDARD ET	Min 33.5"-Max 34.5" 85.1 to 87.6 cm		
HEIGHT OF ET-AF-3	Min 36.5"-Max 37.5" 92.7 to 95.2 cm		
WIDTH (Overall)	25.5"		
DEPTH (Overall)	64.8 cm 29"		
SHIPPING WEIGHT	"M" Series: 270 Pounds (122.5 kg) "3" Series: 274 Pounds (124.3 kg)		
SHIPPING DIMENSIONS	"M" Series: 36"L x 36"W x 41"H "3" Series: 36"L x 36"W x 44"H		

Copyright 4/16

WARNING: Cancer and Reproductive Harm - www.P65Warnings.ca.gov

ADS has built a strong history based on Customer Service, Quality, and Reliability. A Commitment to Excellence is the driving force behind American Dish Service.

900 Blake Street Edwardsville, KS 66111-3820 Toll Free (800) 922-2178 Phone (913) 422-3700 Fax (913) 422-6630